

CH5612 / CH5624

Automatic Battery Charger

Wide Input Range 100 to 265 Vac

Features

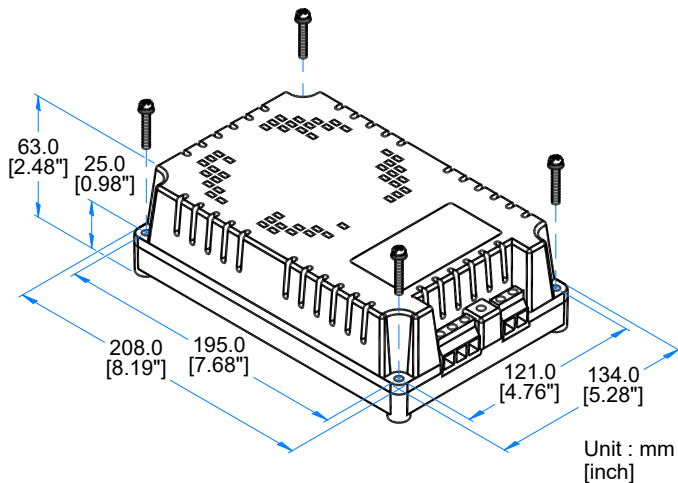
- Automatic charging under all conditions
- Current limiting, constant voltage float charge mode that avoids over-charging
- DC charging current and voltage display
- Automatically reduce output proportionally when overheat
- Short circuit & reverse polarity protection
- DC output Over/Under Voltage protection
- DC output Over Current protection
- AC input Over Voltage protection
- "Force Charge Button" for resume to normal charge from a low residual voltage condition
- Built-in AC power input micro fuse protection
- Panel Mount



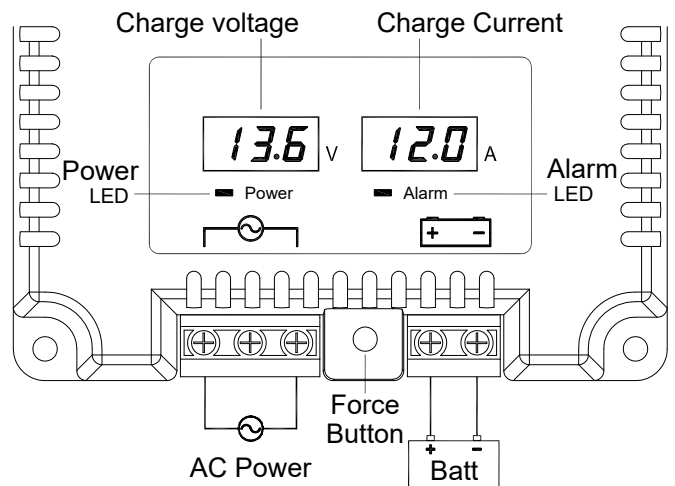
Specifications

Power Input	Voltage	100 to 265 Vac	Protection	Reverse polarity and short circuit protections
	Frequency	47 to 63 Hz		DC output Over/Under Voltage protections
	Current	2A		DC output Over Current protection
DC Output	CH5612	13.6 Vdc 12A Max.	AC input Over Voltage protection	
	CH5624	27.2 Vdc 6A Max.	Temperature sensor failure protection	
DC Voltage Regulation	CH5612	less than +/- 2%	Environment	Operation Temperature -20 to +50 °C
	CH5624	less than +/- 1%		Storage Temperature -30 to +80 °C
Charge Mode	Float (Current limiting, constant voltage)		Relative Humidity	Max. 90%
Protection Fuse Spec.	Slow blow 5A 300V		Vibration	5.0 Gs @ 60 Hz
Efficiency	More than 88% @ full load		Dimensions	208.0 (L) x 134.0 (W) x 63.0 (H) mm
Static Power Consumption	Max 2 W @ 110 Vac			8.19 (L) x 5.28 (W) x 2.48 (H) inch
	Max 1 W @ 220 Vac		Weight	0.89 Kg +/-2%
Suitable Battery Type	Gel, Lead Acid & AGM			1.96 lb +/-2%

Dimensions



Display & External Wiring



KUTAI ELECTRONICS INDUSTRY CO., LTD.

TEL : +886-7-8121771 FAX : +886-7-8121775 Website : www.kutai.com.tw
Headquarters : No.3, Ln. 201, Qianfu St., Qianzhen Dist., Kaohsiung City 806037, Taiwan

ISO 9001
ETC